



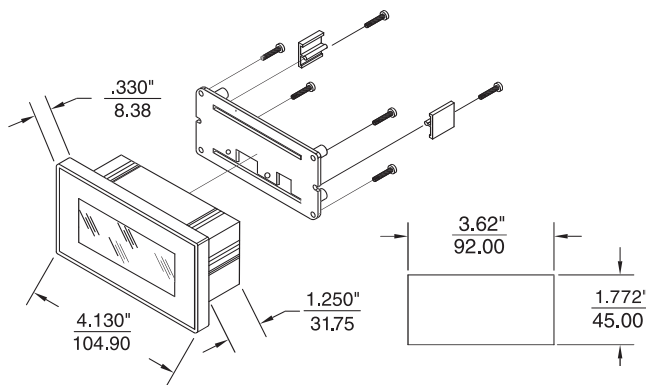
3-1/2 Digit Loop-Powered Meter

- Powered by the current being measured
- 3-1/2 Digit full-size LCD 0.6" high
- Small size: 2.3" x 4.13" x 1.25"
- NEMA 4 Front Panel
- 1/8 DIN Anodized Aluminum Case
- Selectable decimal point
- Two (2) wires for total hook-up
- Short depth case (1.25")

ORDERING INFORMATION

MODEL NUMBER	DESCRIPTION
D2040	3-1/2 Digit Loop Powered Meter
OPTIONAL ACCESSORIES	
9801	Nema 4X Wall Mounted Enclosure
9802	Nema 4X Wall mounted Enclosure -double cutout

DIMENSIONS (INCHES/MILLIMETERS)



The **Digitec D2040** loop-powered display is a 3-1/2 Digit, short depth LCD display. The display can indicate level, % flow, or pressure in a 4-20 mA process loop.

The D2040 also is well suited to be used as a remote display. User adjustable scale (gain), offset and decimal point allow immediate calibration of measurement being displayed.

PROCESS APPLICATIONS

- Level
- Pressure
- Flow

SPECIFICATIONS

INPUTS	Current loop measurement of 4-20mA and 10-50mA	
DISPLAY RANGE	.000 to ±1.999	
	0.00 to ±19.99	
	00.0 to ±199.9	
	000 to ±1999	
ACCURACY	±0.1% rdg. ±1 digit	
POWER REQUIREMENTS	Loop powered; voltage drop less than 5.0V with a 20mA input	
RESPONSE TIME	Under 1 sec., typically	
DISPLAY	0.6" LCD Digits	
DISPLAY UPDATE RATE	2.5 updates per second	
DECIMAL POINTS	1.XXX	
	1X.XX set by internal	
	1XX.X jumper	
POLARITY	Negative Count	minus sign at left.
	Positive Count	plus sign at left.
RECALIBRATION SCHEDULE	1 year within rated accuracy	
HUMIDITY	80% RH @ 40° C max.; 70% RH @ 60° C max.	
FRONT PANEL	NEMA 4	
TEMPERATURE RATING	Storage	-4° to 158°F (-20°C to 70°C)
SIZE	2.3"H x 4.13"W x 1.25"D Panel Cutout: 3.55"W x 1.72"H	
WEIGHT	Approx. 2 oz.	
	NEMA 4X Wall Mounted Enclosure	

OPTIONAL ACCESSORIES

