

Microprocessor technology makes **Digitec's 2800B** series of digital panel meters the ideal solution for the meeting the measurement, display and control requirements of industrial applications, OEM's and system designers.

Models are available for voltage, and current with 3-1/2, 4, 4-1/2 digit displays. Each unit has field selectable 115/230VAC input power via internal jumper selection.

Four Separate Setpoint Limits: Four separate setpoints may be operator programmed to indicate "out of limit" conditions based on display value. Each limit can be assigned a single relay output with option "C" installed. The setpoints can be programmed also to make the display flash when in the alarm condition.

Lockout Code for Security: To eliminate unauthorized changes by the operating personnel, any alteration of the instrument setup data requires entry of user security code for access.

SECOND SCALE: This function allows the user to set a second scaling to the input. The input will then be displayed in two engineering units (typically for English/Metric displays).

PEAK 1 AND PEAK 2: Peak 1 and peak 2 are both assignable to capture the maximum or minimum display value. They are assignable to any channel and the net or gross value. It can be reset through a front panel key or remote input. Capture rate is 20/SEC.

Digitec recognizes the importance of customer support. One aspect of this support is customized engineering to meet our customer specific market requirements.



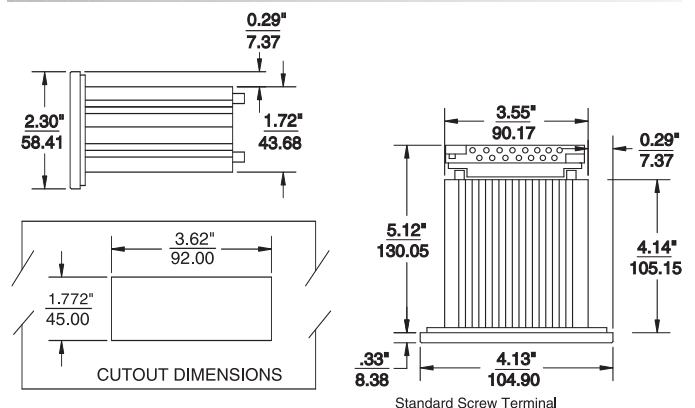
Single Channel Panel Meter

- Fail Safe Alarm Ready Operation
- No Flash of Display on Alarms
- Optional Excitation Supplies 10, 24, or 5VDC
- Customized Fast Entry for Alarm Setup
- U-Plot Linearization
- NEMA 4X Front Frame

SPECIFICATIONS

DISPLAY	0.50" Red Led
NMR	63dB, 50/60 Hz
CMV	130dB, 50/60 Hz
POWER REQUIREMENTS	115/230 VAC
DISPLAY UPDATE RATE	10 per second
RESPONSE TIME	100 mSecond Max. To display
TERMINATION	Scre Terminal Connector
SELF CAL	1 time every 500 mSeconds
ENVIRONMENT	-20° to 60°C
CASE	Anodized Aluminum
WEIGHT	0.84 lbs

DIMENSIONS (INCHES/MILLIMETERS)



FUNCTIONAL REPLACEMENT
FOR THE 2800A

MODEL NUMBER >>>>>>	D28	B	
Display			
3-1/2 Digit	10		
4 Digit	11		
4-1/2 Digit	12		
Process 4-1/2 Digit	20		
Input Rates			
See Range Chart			
Options			
Use any combination of Options.	Option C	C	
	Option F	F	
	Option H	H	
	Option P	P	
	Option T	T	

OPTIONS

OPTION C	3 form C (single pole double throw) relays rated at 5 amp @ 240VAC, 5amps @ 30VDC. Located on the option/top printed circuit board
OPTION F	Factory calibration (user provides input range and display range)
OPTION H	Analog output with menu selection of 0-20mA, 4-20mA, 0-5VDC, 0-10VDC and +5/-5VDC
	Update rate of 25/second
	Resolution - 16 bit D/A Located on the option/top printed circuit board
OPTION P	24VDC @ 150mA Accuracy: .5%
	10VDC @ 250mA supply
OPTION T	Serial RS-232C Communication.
	Configuration of 9600 baud, NO Parity Check, 8 DATA Bits.

RANGE CHART

Model Number	Input Ranges
3-1/2 Digit Display	
D2810B-01	±199.9mV DC
D2810B-02	±1.999V DC
D2810B-03	±19.99V DC
D2810B-04	±199.9V DC
D2810B-08	±199.9uA DC
D2810B-09	±1.999mA DC
D2810B-10	±19.99mA DC
D2810B-11	±199.9mA DC
D2810B-12	±1.999A DC
4 Digit Display	
D2811B-00	±99.99mV DC
D2811B-01	±999.9mV DC
D2811B-02	±9.999V DC
D2811B-03	±99.99V DC
D2811B-04	±999.9V DC
D2811B-08	±999.9uA DC
D2811B-09	±9.999mA DC
D2811B-10	±99.99mA DC
D2811B-11	±999.9mA DC
4-1/2 Digit Display	
D2812B-01	±199.99mV DC
D2812B-02	±1.9999V DC
D2812B-03	±19.999V DC
D2812B-04	±199.99V DC
Process 4-1/2 Digit Display	
D2820B-23	±5 and 1-5V DC
D2820B-25	±10 and 0-10V DC
D2820B-27	0-20 and 4-20mA DC
D2820B-29	0-50 and 10-50mA DC

Single-Channel Process Controllers & Temp. Displays // D2800B